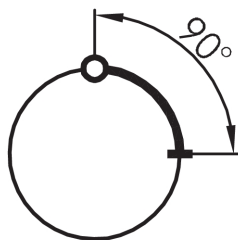
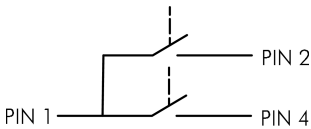
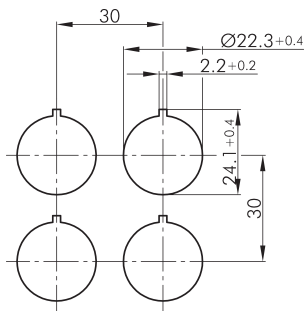
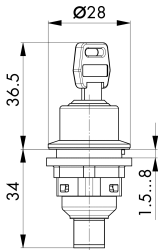




**Key-operated switch, maintained, with 4-pole M12 connector
SSWSSA14II_C009**

Description: with integrated 4-pole M12 connector, A coded including two keys other lock types on request



	L	R
PIN 1/ PIN 2		
PIN 1/ PIN 4		
PIN 3 n.C.	0	1 2



Category: Key switches (momentary/maintained)
Series: SHORTRON® connect
Panel cut-out: Ø 22.3 mm
Mounting depth: 33.7 mm
Protection class: II (protective insulation)
Degree of protection: IP65 (in the front); IP65 / IP67 (on the rear with plugged-in M12 connector)
Switching function: maintained action
Travel: 2.3 mm (pushbutton)
Illumination: no
With labelling option: no
Contact equipment: 2 NO
Connection type: 4-pole M12 connector (integrated), A coded
Front bezel: black
Positive opening: no
Operating temperature: -25°C ... 70°C
Mechanical life: 30,000 switching cycles
Electrical life: 30,000 switching cycles at rated load
Storage temperature: -40°C ... 80°C
Shape: round
Contact material: AgNi

Legend
I= Switching position >=

**Spring return O= Key
removable position**